

Popcorn Machine Instructions



Please read this user manual carefully before use.

William Tyndale F&SA are not responsible for any accidents or incidents that may occur whilst using this machine.

IMPORTANT SAFEGUARDS

- 1. READ ALL INSTRUCTIONS BEFORE USING YOUR POPCORN MACHINE.**
2. Do not touch hot surfaces. Always use handles or knobs to operate.
3. To avoid any risk of electrical shock, do not immerse cord or plug into water or other liquid.
4. Close supervision is necessary when the machine is being used by or near children.
5. Unplug main power cord from outlet while not in use and before cleaning.
6. Allow HOT parts to cool down before manoeuvring.
7. Do not operate the appliance with damaged cord or plug, malfunction or with any mechanical damage. Send the unit to your nearest authorised service centre for examination and repair (**ONLY** technicians should open up the unit).
8. Injury may be caused by using any accessories or attachments that are not provided or recommended by the manufacturer.
9. Do not pop the kernel with a dry pot (without oil).
10. Do not immerse popping pot set into water.
11. Pot surface is HOT and should NOT be touched during popping or just after use.
12. Unplug, clean and cover the unit and store into dry and safe place if not being use for long time.
13. Do not leave power cord hanging over edge of table or counter or allow it to touch any hot surfaces.
14. Do not place the unit on or near a hot gas or electric burner or in a heated oven.
15. Extreme care must be taken if moving the appliance when it contains hot oil or other hot liquids.
16. Turn ALL switches to 'OFF' position before disconnecting power plug from the wall supply outlet.

17. Do not use appliance for anything other than indicated usage.
18. To avoid overheating, always add oil before kernels prior to operating.
19. Extreme care must be taken when unloading popcorn.
20. Always place the unit over a counter-top so that residual hot oil or water running out will not cause burns.

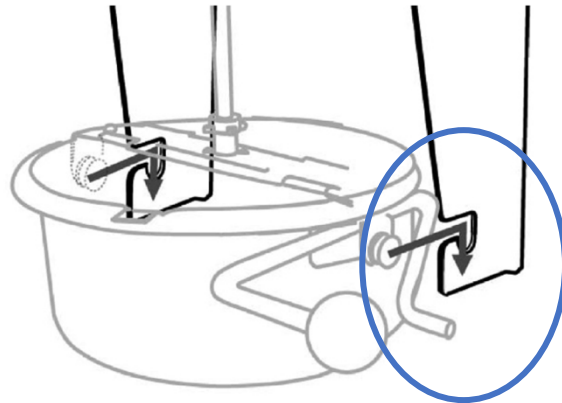
POPPING INSTRUCTIONS

User should follow the procedures:

- 1) Before using the unit, please check carefully if voltage is suitable to the country. (Please check that the voltage matches the rating label specified next to the power cord).
- 2) Clean the internal surface of the popping pot and main unit surfaces.
- 3) Main unit has 3 function switches as follows:
 - Light and warmer (power and light)
 - Stirrer (turn)
 - Stainless steel Pot heater (heat)



4) Hook up the pot onto the hanger of the main unit.



5) Switch on the light and heater (I & III), and then add a suitable amount of butter or oil. Consumer should use an amount of oil (Max. 15g) subject to your own taste.

6) Popping pot should be pre-heated for 3 to 4 minutes with oil (until steam comes out from the pot). Please prepare kernels. Measure the amount of kernels.

***** Please avoid using sugar as it will likely burn, and it will be difficult to clean the machine.**

Liquid sugar and honey must not be used.

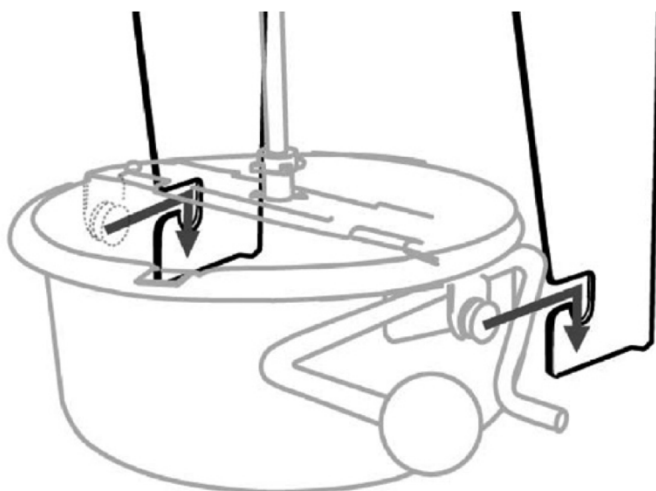
7) Open the lid and pour in kernels. (Caution: Lid might be hot - handling with an oven mitten is recommended).

8) Switch ON the stirrer so that it starts stirring.

9) Lower the lid and wait for popcorn to start popping out through the lid after about 2 to 3 minutes.



10) Switch OFF the stirrer & heater when popping is complete (no more popping sound from pot). Rotate the roller bar of the pot to pour out all remaining popcorn from pot.



11) Keep heater OFF if the unit is not continuously being used. Only keep the spotlight and warmer ON; this will keep the popcorn warm, dry and tasty.

12) Open the door and tray and serve your popcorn with popcorn scoop provided.



13) Repeat step 7 to 10 for further popping.

14) Remove plug from power supply if the unit is not being used for long time.

CLEANING AND MAINTENANCE

QUICK CLEANING PROCEDURE

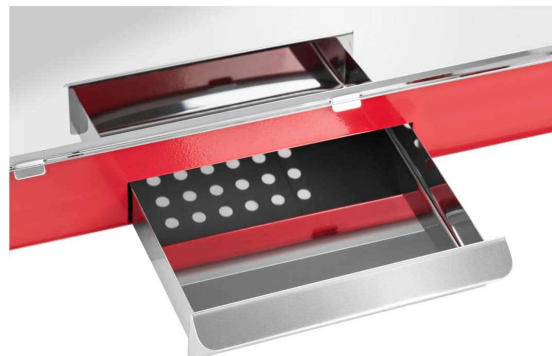
Switch OFF the machine Pour 200 to 400 ml of water (NO detergent is necessary) into inner pot. Switch ON the stirrer and heater again to boil the water and let the stirrer to turn in order to remove excess built up material stuck on the surface. Switch OFF stirrer and heater and pour out the water after about 1 to 2 minutes of boiling. Repeat the same procedure 2 to 3 times to get better result.

STANDARD CLEANING PROCEDURE

Run the 'Quick cleaning procedure' until it's relatively clean.

Switch OFF the machine and wait for the popping pot to cool down. Clean the inside and outside of the pot by brush and wet towel (NEVER immerse the pot into water).

Use a wet towel to clean up the main unit, main body and doors; empty the rubbish tray after each use.



ADDITIONAL INFORMATION

Here are a couple of videos you might want to watch to become familiar with popcorn making.

<https://www.youtube.com/watch?v=HG1kNLBcWY>

<https://www.youtube.com/watch?v=lhkWPvVKODc>